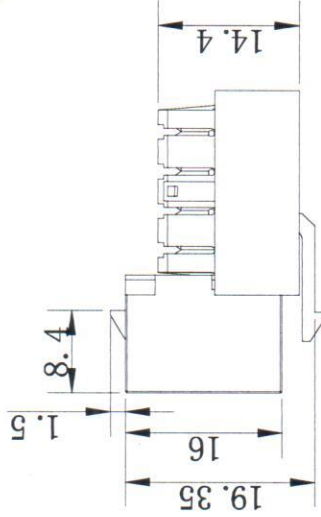
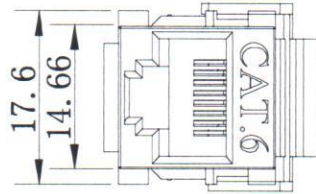
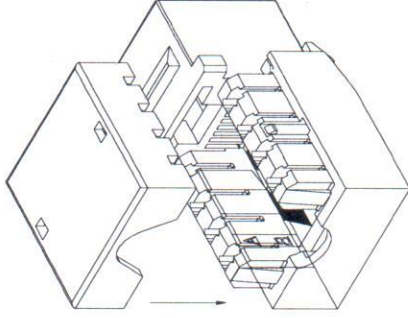
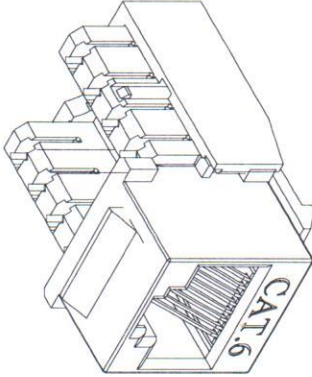
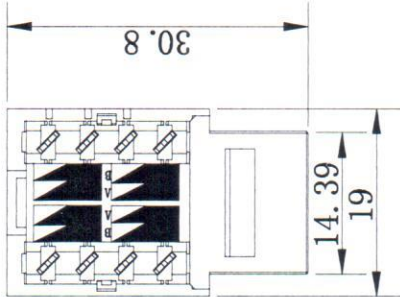


NOTE: ALL MATERIAL COMPLIANT ROHS STANDARD

REVISION INFORMATION

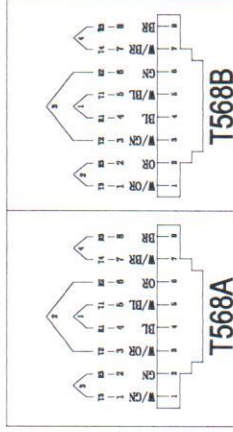
Rev.	Rev. Date	Modified By	Brief Description



ELECTRICAL

1. Current rating: 1.5 Amps
2. Insulation resistance: 500 MOhm
3. Contact resistance: 20 mOhm
4. DC resistance: 0.1 Ohm
5. Dielectric withstanding voltage: 1000 V

PIN/PAIR ASSIGNMENTS



NO.	PART NAME	SPECIFICATION DESCRIPTION	QT	Y	UNIT
④	I. D. C CAP	PC UL 94V-0 white color	1		Pcs
③	P. C. B	FR4 1.6mm thickness, 2 layers.	1		Pcs
②	IDC Housing	PC UL 94V-0 white color.	1		Pcs
①	Jack Housing	PC UL 94V-0 rated	1		Pcs
			QT	Y	UNIT

DRAWN BY

DATE:

DESCRIPTION:

CHECKED BY

2012/07/10

Cat. 6 RJ45 110 Type Keystone Jack

APPROVED BY

SHEET 1 of 1

ITEM NO.

SCALE 1:1

REV. 00

UNIT: mm

